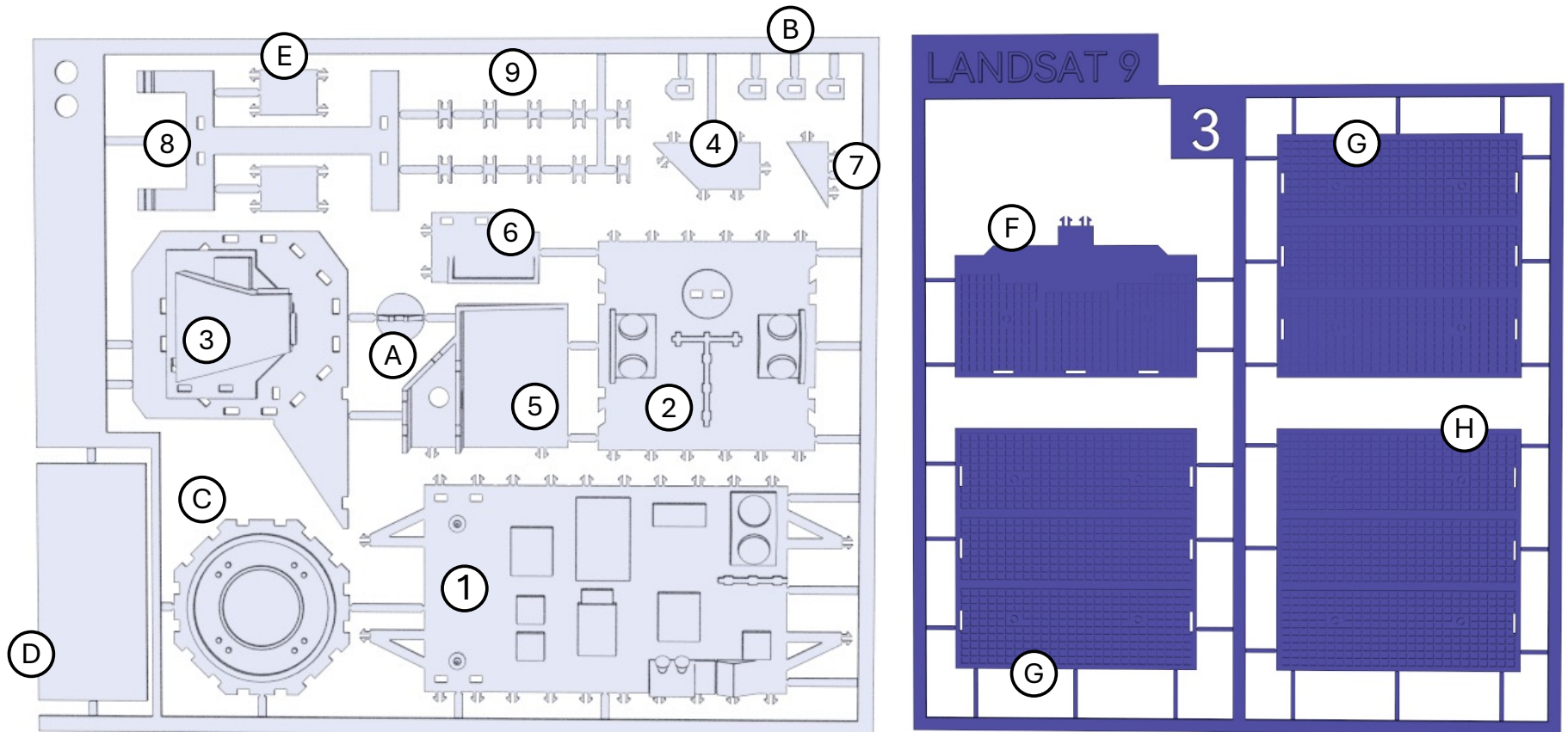
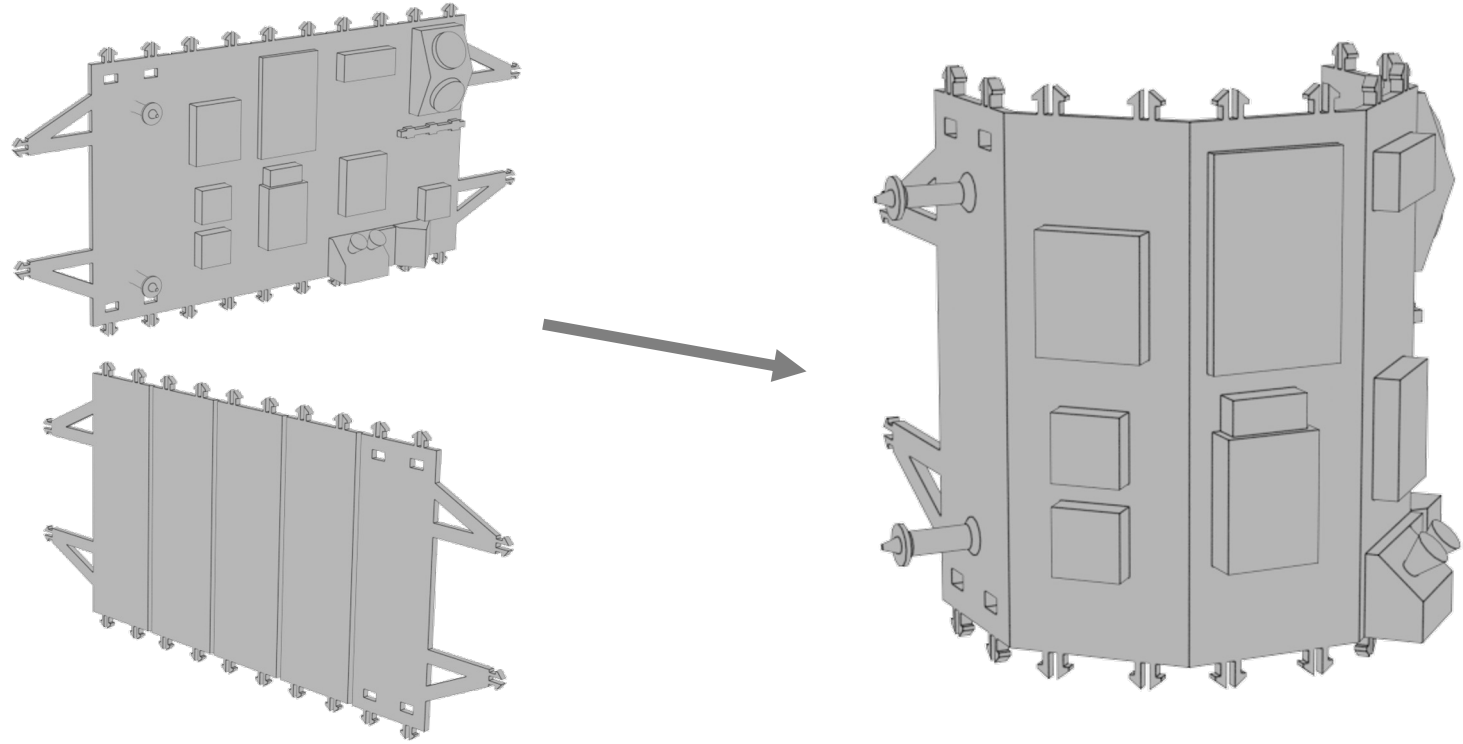


Landsat 9 – 3D Print Model Kit

Assembly Instructions



1



2

